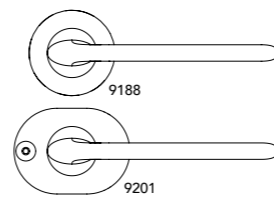


ZERA

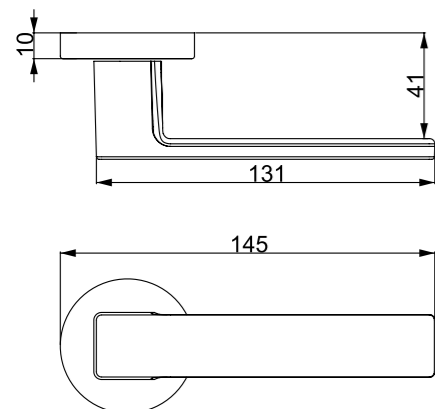


ROSETTE TYPE



Material
Zinc Alloy

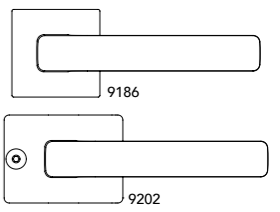
STANDARD FINISHES



ZERA-S



ROSETTE TYPE



Material
Zinc Alloy

STANDARD FINISHES

