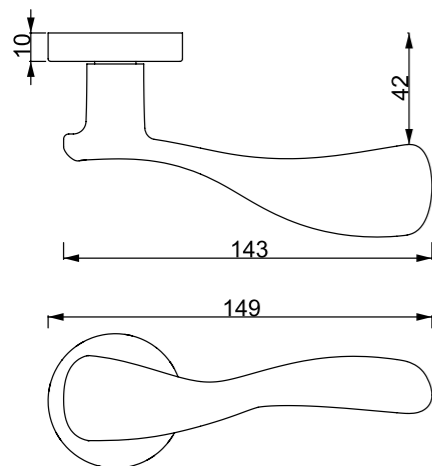


LAVI
A 531



Material
Zinc Alloy

STANDARD FINISHES



SATA
A 528



Material
Zinc Alloy

ROSETTE TYPE



STANDARD FINISHES

