

**CARLI**  
A 5106

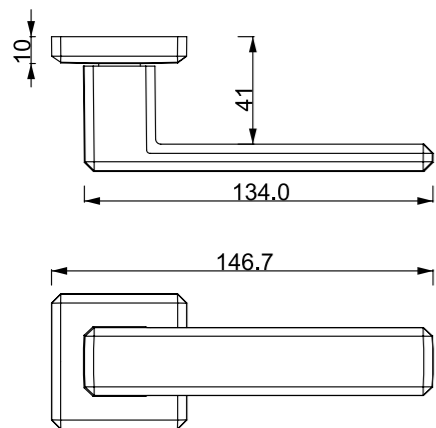


ROSETTE TYPE



Material  
Zinc Alloy

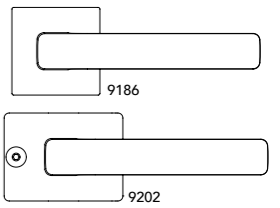
STANDARD FINISHES



**LETA**  
A 5105



ROSETTE TYPE



Material  
Zinc Alloy

STANDARD FINISHES

