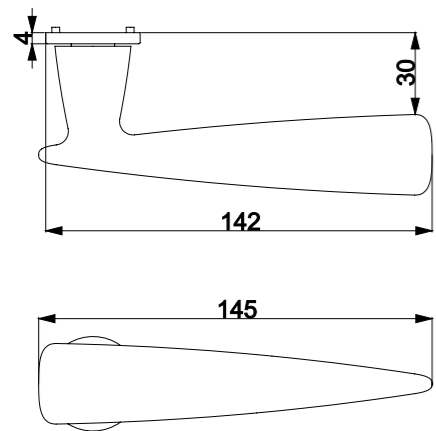


DENA
A 5220



Material
Zinc Alloy



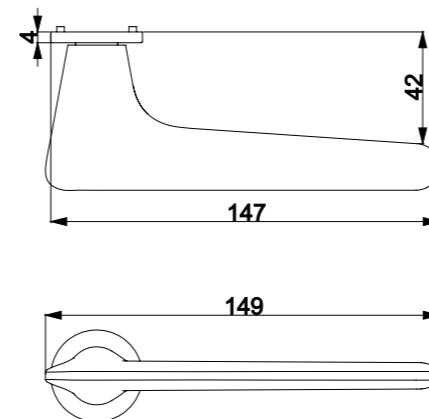
STANDARD FINISHES



GIGI
A 5113



Material
Zinc Alloy



STANDARD FINISHES

