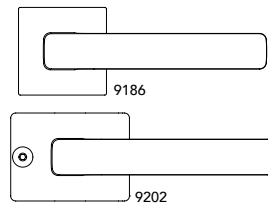


FLAT
C 5218010

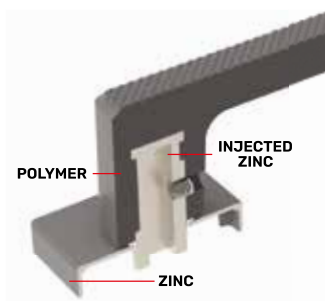
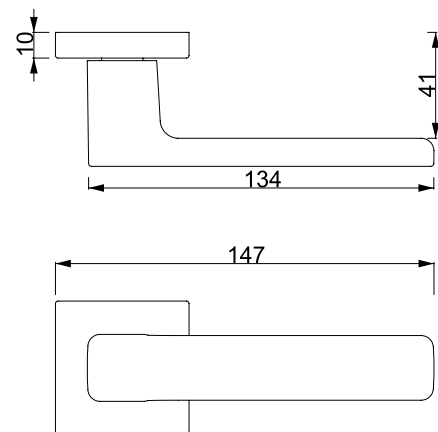


ROSETTE TYPE



Material Zinc Alloy & Polymer
The First Hybrid Collection

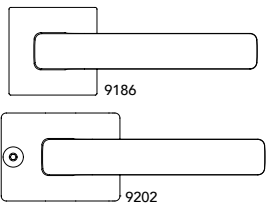
STANDARD FINISHES



GREN
C 5212010



ROSETTE TYPE



Material Zinc Alloy & Polymer
The First Hybrid Collection

STANDARD FINISHES

