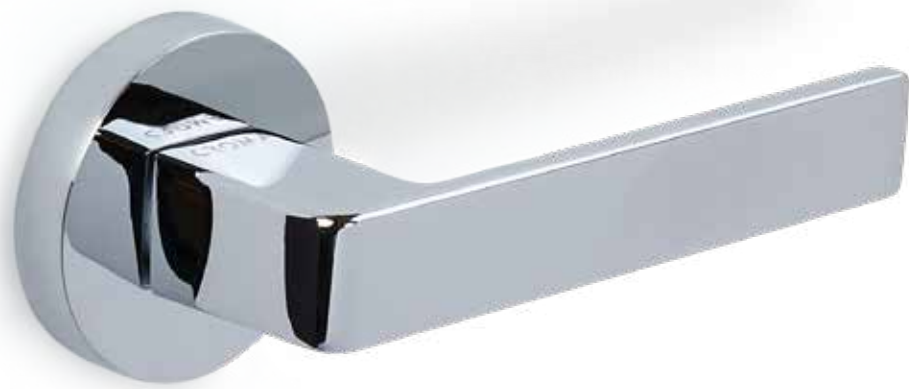
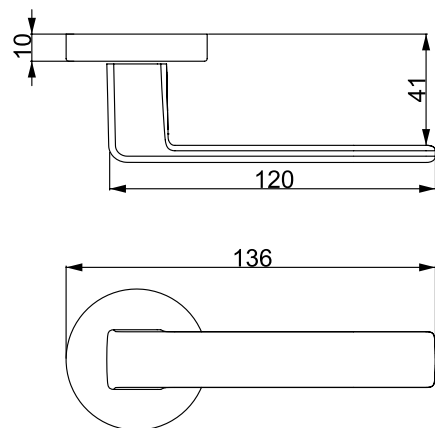


ETA



Material
Zinc Alloy

STANDARD FINISHES

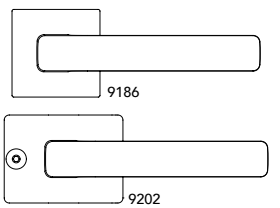


ETA-S



Material
Zinc Alloy

ROSETTE TYPE



STANDARD FINISHES

