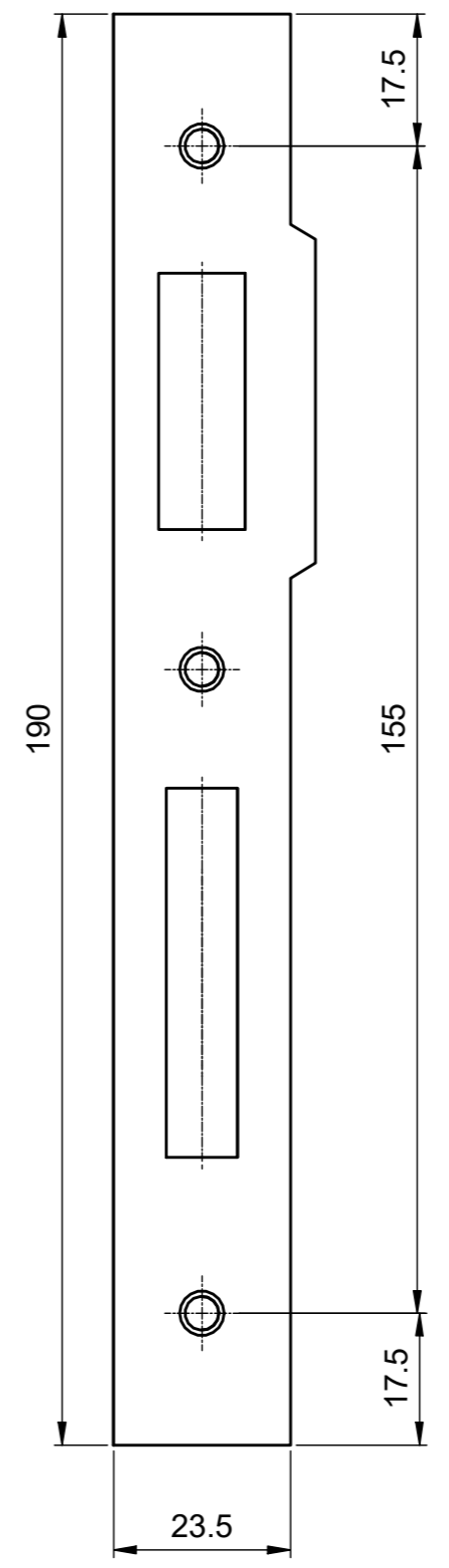
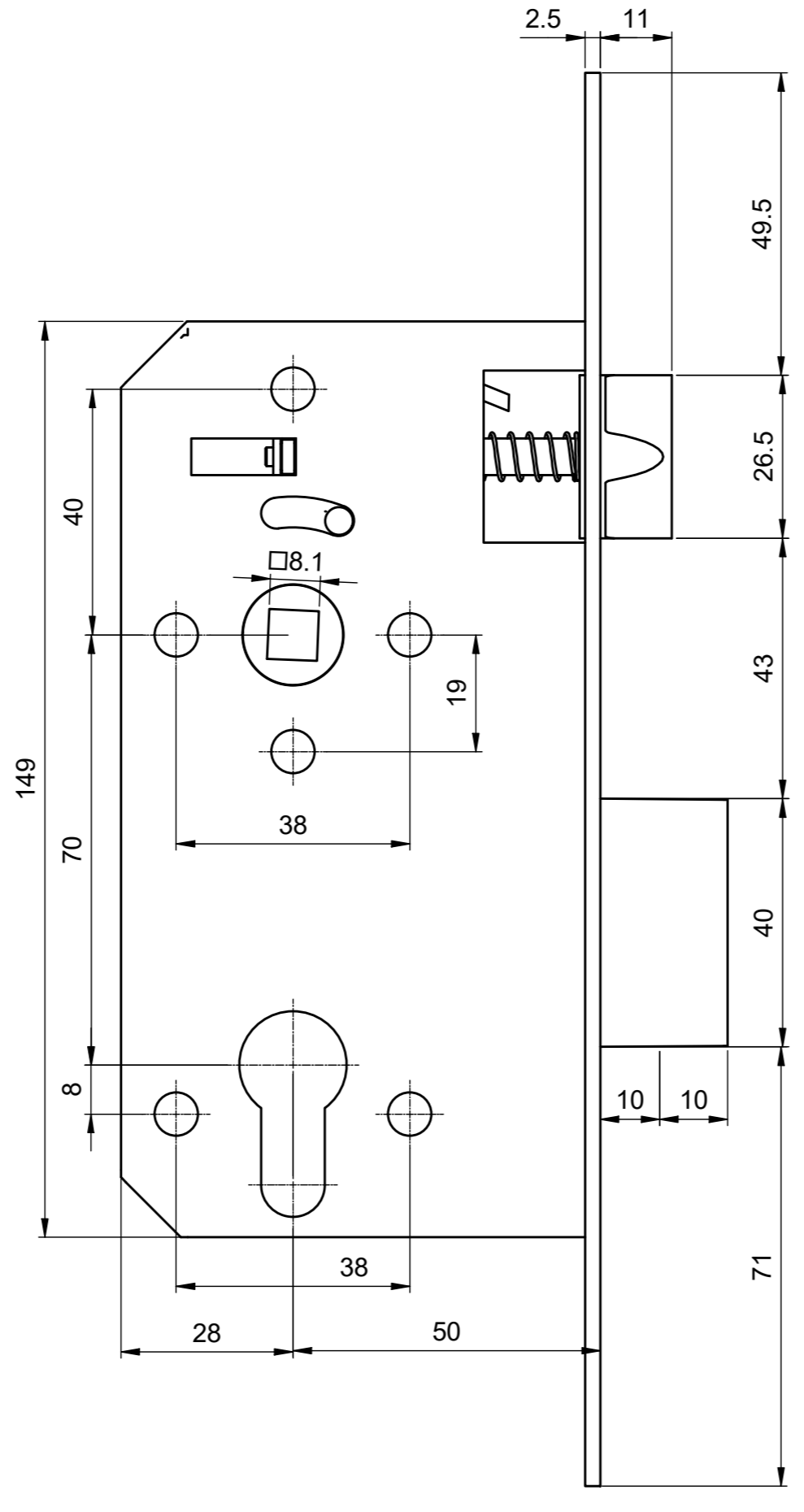
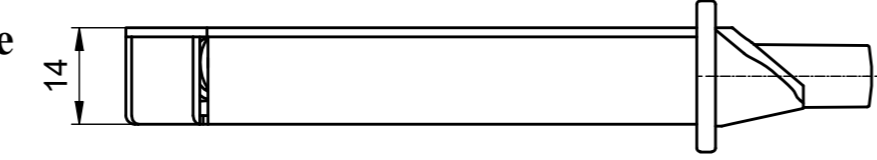
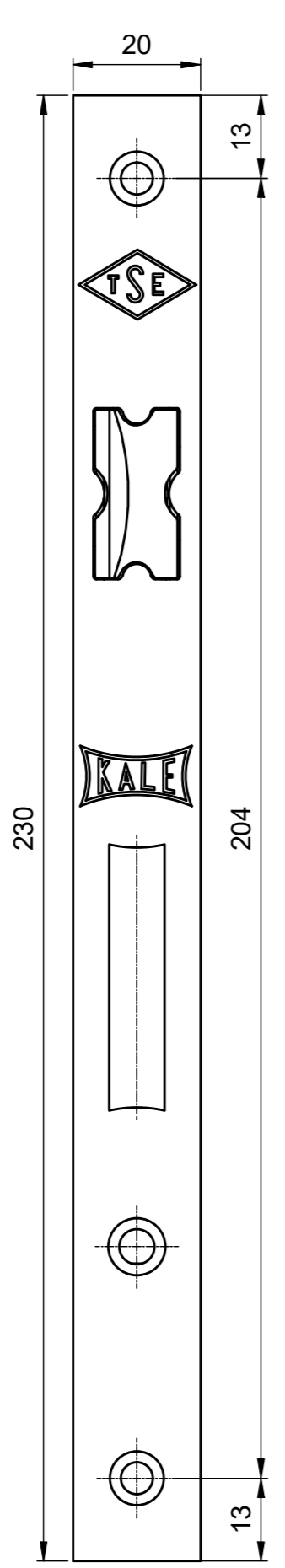


SİYAHI ÇİZİM VE İZLENİMLERİN YERİ BLACK DRAWING AND DIMENSIONS DIMENSIONS	DIN ISO 2768MT	±0.1	±0.2	±0.3	±0.4	±0.5	±0.6	±0.7	±0.8	±0.9	±1.0	±1.2	±1.5	±2.0	±2.5	±3.0	±4.0	±5.0	±6.0	±8.0	±10.0	±15.0	±20.0	±30.0	±40.0	±50.0	±63.0	±80.0	±100.0	±150.0	±200.0	±300.0	±400.0
	DIN ISO 2768MT	±0.1	±0.2	±0.3	±0.4	±0.5	±0.6	±0.7	±0.8	±0.9	±1.0	±1.2	±1.5	±2.0	±2.5	±3.0	±4.0	±5.0	±6.0	±8.0	±10.0	±15.0	±20.0	±30.0	±40.0	±50.0	±63.0	±80.0	±100.0	±150.0	±200.0	±300.0	±400.0
	ISO 2768MT	±0.1	±0.2	±0.3	±0.4	±0.5	±0.6	±0.7	±0.8	±0.9	±1.0	±1.2	±1.5	±2.0	±2.5	±3.0	±4.0	±5.0	±6.0	±8.0	±10.0	±15.0	±20.0	±30.0	±40.0	±50.0	±63.0	±80.0	±100.0	±150.0	±200.0	±300.0	±400.0
	ISO 2768MT	±0.1	±0.2	±0.3	±0.4	±0.5	±0.6	±0.7	±0.8	±0.9	±1.0	±1.2	±1.5	±2.0	±2.5	±3.0	±4.0	±5.0	±6.0	±8.0	±10.0	±15.0	±20.0	±30.0	±40.0	±50.0	±63.0	±80.0	±100.0	±150.0	±200.0	±300.0	±400.0

Drawn on computer, modifications by hand are not allowed!
This document is in the property of KALE KILIT ve KALIP SANAYI A.Ş.
Third parties without written authority from the proprietor.

Gövde Tipi Case Type Kapalı Closed



Karşılık
Kalınlık: 1.5 mm
Striking plate
Thickness: 1.5 mm

Sembol Index	Tarih Date	Model Değişiklik No E.C.R. No	Değişiklikler Revisions		Çizen Drawn	Kontrol Checked
Model/Model:						
Malzeme/Material:					Ölçek/Scale:	
Genel Tol./Gen.Tol	DIN ISO 2768-1	Tarih/Date	İmza/Signature	Parça Adı/Part Name		
Çizen/Drawn						
Kontrol/Checked						
Onay/Approved						
Resim No/Drawing No:				Parça No/Part No:	196 50	

